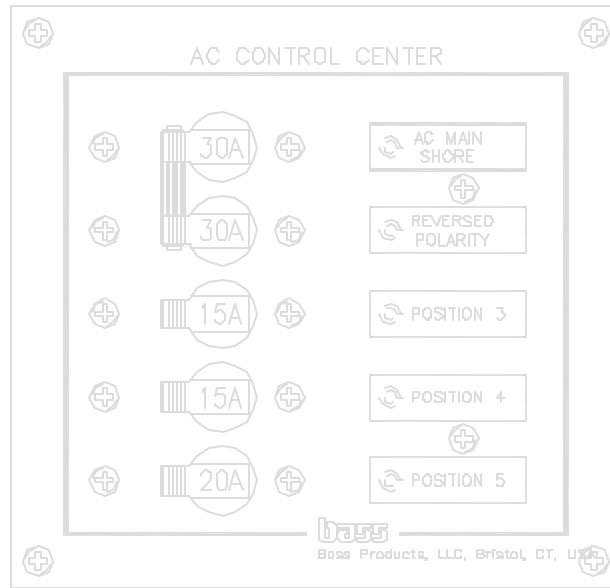
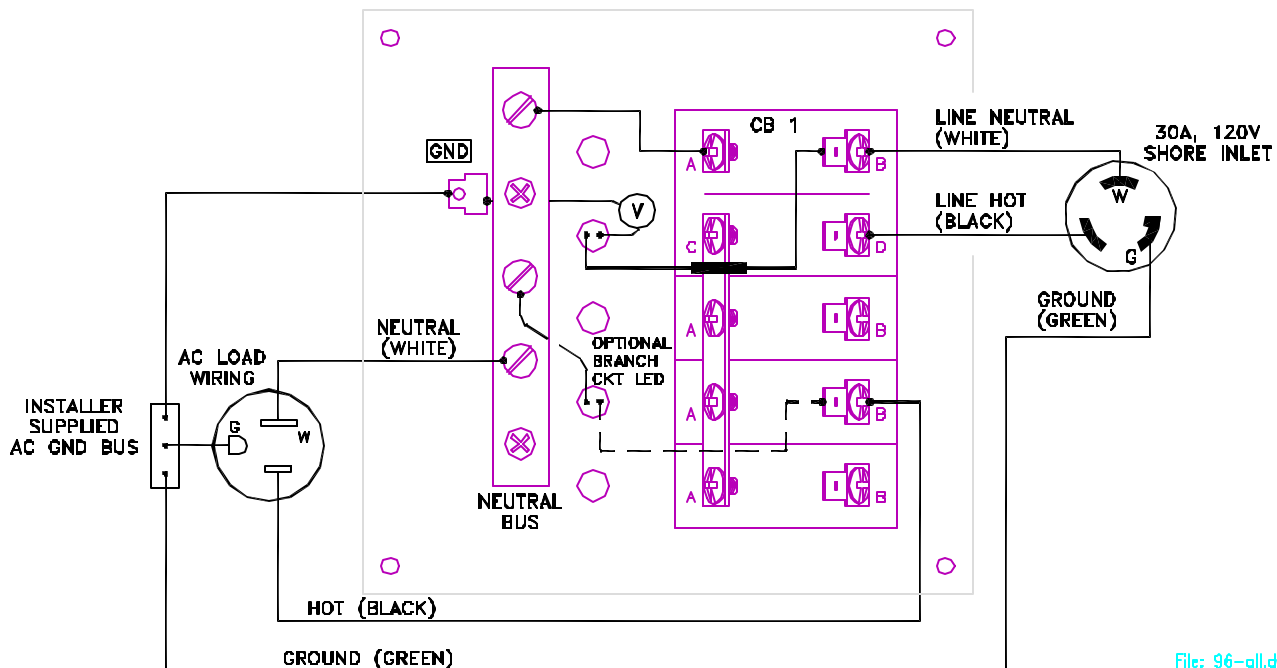
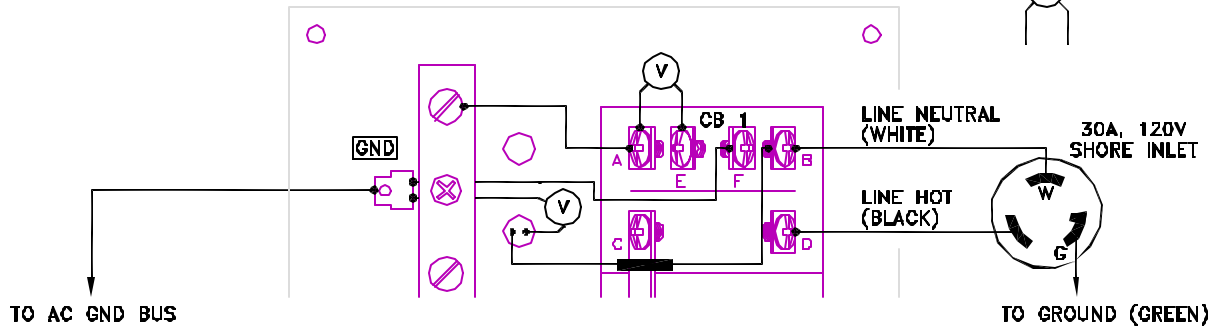


96-1140  
96-1140K (SHOWN)



OPTION "P" (POLARITY SENSING MAIN)

= VARISTOR



File: 96-all.dwg