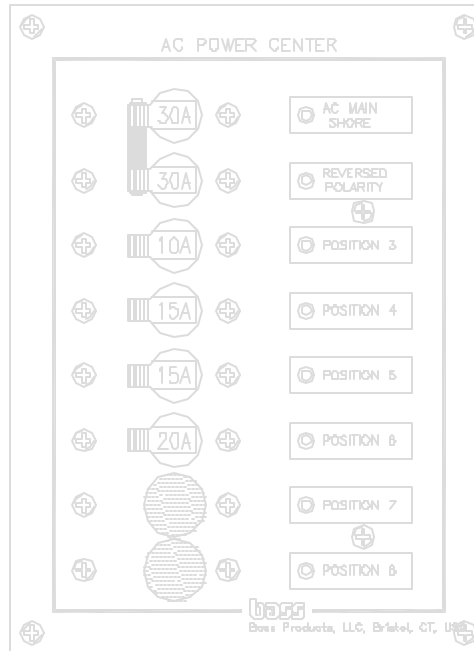
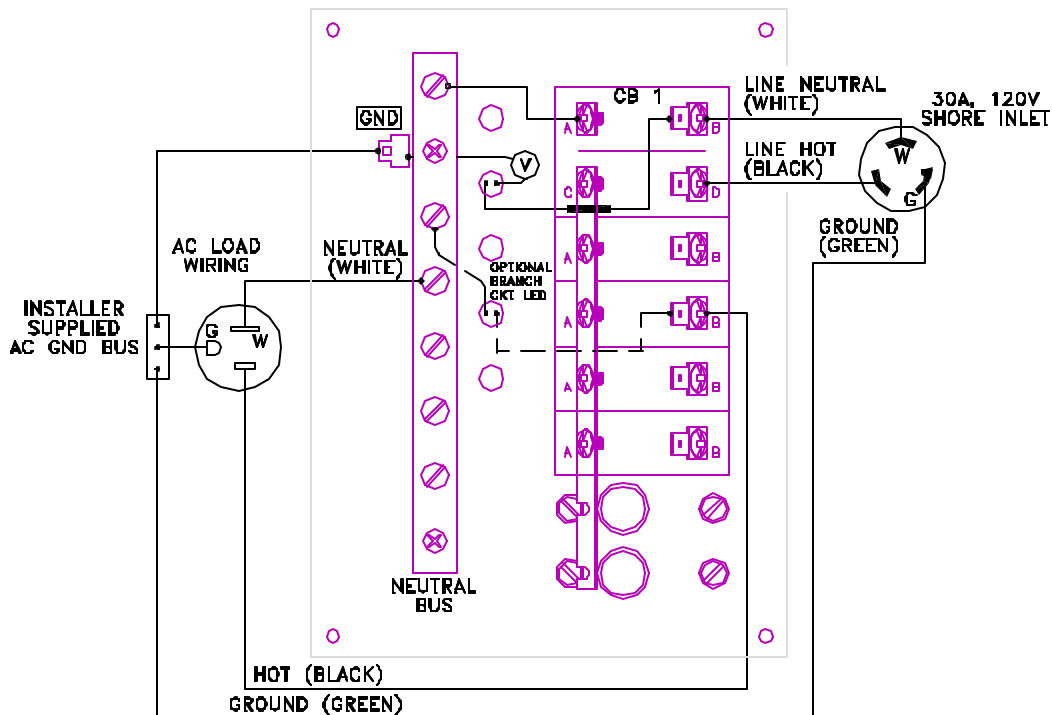
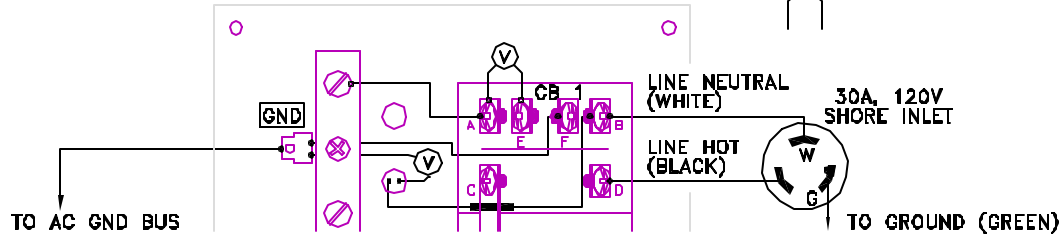


96-1150
96-1150K (SHOWN)



OPTION "P" (POLARITY SENSING MAIN)

(V) = VARISTOR



File: 96-all.dwg