



DESCRIPTION: The 96-1170K is a dual AC power selector panel. It provides for the selection of either one of two 120V AC sources for each of two separate load groups. Load Group 1 is sourced from either SHORE 1 or GEN. Load Group 2 is sourced from either SHORE 2 or the selected Load Group 1 source. Red LED's for each of the two shore cords warn the operator of an unsafe reversed polarity condition.

The panel also provides branch feeder over current protection in accordance with the requirements of ABYC E-8.10.c, Main Supply for a single-phase, 30A, 120V shore cord.

STANDARDS: The installation of this panel should be in accordance with the most current revision of ABYC (Standards and Recommended Practices for Small Craft) standard **E-8 Alternating Current (AC) Electrical Systems on Boats**, which may be purchased from:

American Boat and Yacht Council, Inc.
3069 Solomon's Island Road
Edgewater, MD 21037
Phone: (410) 956-1050
Fax: (410) 956-2737

This standard may be available at your library. If this standard is unavailable or the installer is otherwise unsure of proper practice, seek competent professional help.

GENERAL INFORMATION: All circuit breakers used on these panels are of a "trip-free" design and cannot be manually held ON to override the current-interrupting mechanism when in an overload condition.

This panel and its components are not ignition-protected and should not be installed in an explosive atmosphere or any other environment where ignition protection is required.

These and all other instruction sheets and diagrams should become part of the boat owners manual or ship's papers.

PHYSICAL INSTALLATION: Locate the Gas Control Panel near the appliance (stove) in a safe place, away from heat and flame, where it can be easily and safely reached by the operator. Panel is 4.5"W x 3.25"H. Cut a rough opening 3.5"W x 2.25"H. Allow a minimum 3" depth behind panel for components and wiring. After electrical installation is complete, mount with matching screws supplied.

ELECTRICAL INSTALLATION: Follow steps in order. These instructions pertain to a typical application consisting of three 120VAC sources: two 30A shore cords and a generator. Other configurations possible. Galvanic isolator not shown.

STEP 1. DISCONNECT POWER before installation! Disconnect all sources of AC power including shore cords, generators and inverters. Verify with voltmeter!

STEP 2. AC POWER SOURCE CONNECTION – 120V SHORE 1 INLET:

Connect CB1-C to the ungrounded “hot” conductor (black).
Connect CB1-A to the grounded “neutral” conductor (white).
Connect shore inlet “grounding” conductor (green) to the ground bus.

STEP 3. AC POWER SOURCE CONNECTION – 120V SHORE 2 INLET:

Connect CB3-C to the ungrounded “hot” conductor (black).
Connect CB3-A to the grounded “neutral” conductor (white).
Connect shore inlet “grounding” conductor (green) to the ground bus.

STEP 4. AC POWER SOURCE CONNECTION – 120V GENERATOR:

Connect CB2-C to the ungrounded “hot” conductor (black).
Connect CB2-A to the grounded “neutral” conductor (white).

STEP 5. AC BRANCH CIRCUIT CONNECTION – LOAD GROUP 1:

Connect branch circuit “hot” (black) wire to CB1-D.
Connect branch circuit “neutral” (white) wire to CB1-B.
Connect branch circuit “ground” (green) wire to the ground bus.

STEP 6. AC BRANCH CIRCUIT CONNECTION – LOAD GROUP 2:

Connect branch circuit “hot” (black) wire to CB3-D.
Connect branch circuit “neutral” (white) wire to CB3-B.
Connect branch circuit “ground” (green) wire to the ground bus. Connect ground bus to engine negative ground.

Note: Panel shown is 96-1170K. Your configuration may be different.

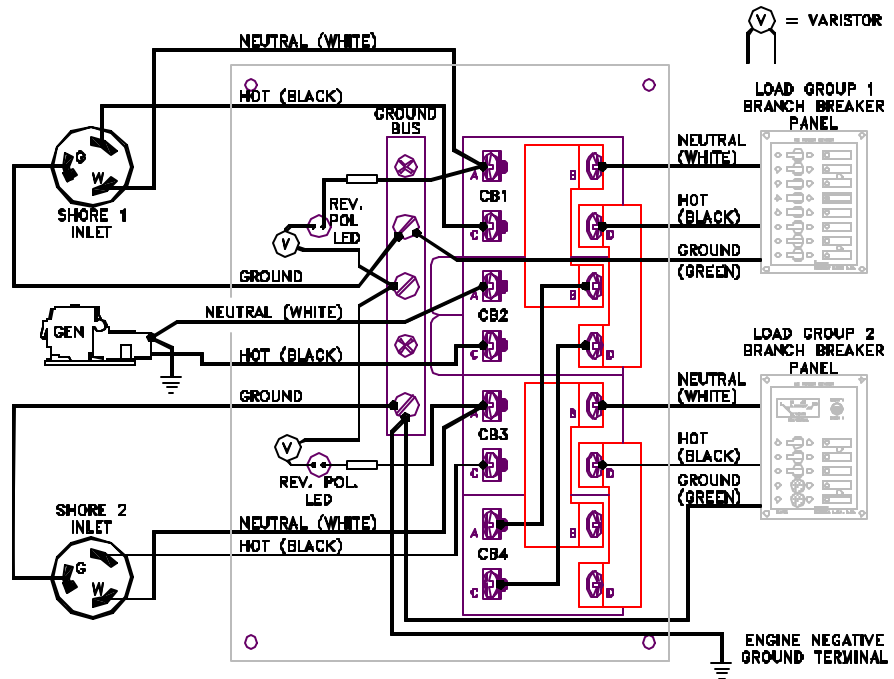
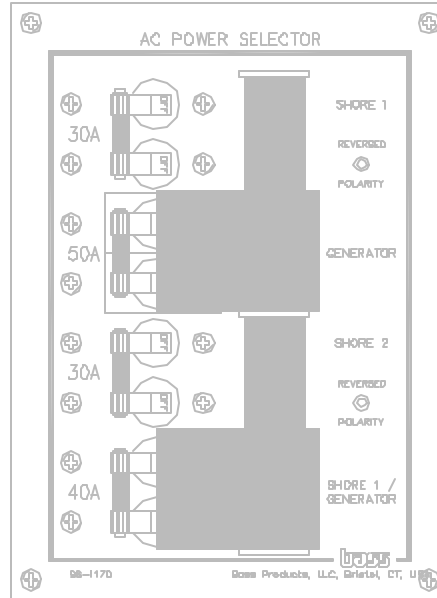
STEP 7. RECONNECT POWER: Reconnect AC power sources.

REVERSED POLARITY INDICATOR LIGHTS:

WARNING!! The red “Reversed Polarity” light indicates that the polarity of the AC power coming aboard via the shore power cable is reversed. If this light is “ON” disconnect the shore power cable immediately! Failure to do so could result in an unsafe operation condition potentially hazardous to on-board personnel. Seek competent professional assistance in correcting the polarity problem.

Note: The polarity light and polarity sensing main (“P” option) will only respond if there is continuity of the grounding conductor to shore. Never defeat the grounding conductor!

96-1170
96-1170K (SHOWN)



LIMITED TWO-YEAR WARRANTY

Bass Products, LLC warrants that its products will be free from defects in material and workmanship under normal use and service for a period of two years from the date of sale to the original consumer purchaser.

Light bulbs, fuses and damage caused by improper installation, maintenance, misuse, abuse, neglect or accident are not included.

This written limited warranty is the only warranty. Any implied warranties, including warranties of merchantability or fitness for a particular purpose are limited to the duration of the limited warranty. Bass will not be liable for any incidental or consequential damages related to the sale or use of its products. Some states do not allow limitations on how long an implied warranty lasts or the limitation of incidental and consequential damages, so the above limitations may not apply to you. This warranty gives you specific legal rights. You may also have other legal rights, which vary from state to state.

HOW TO GET WARRANTY SERVICE

If you believe a product is defective within the warranty period, return it insured and transportation charges paid to Bass Products, LLC 435 Lake Avenue, Bristol, CT 06010. You must provide proof-of-purchase to exercise your rights under the warranty. Bass will repair or replace (at its option) and return to you without charges in the continental United States, any of its products which prove upon examination by Bass to be defective within the terms of the warranty.