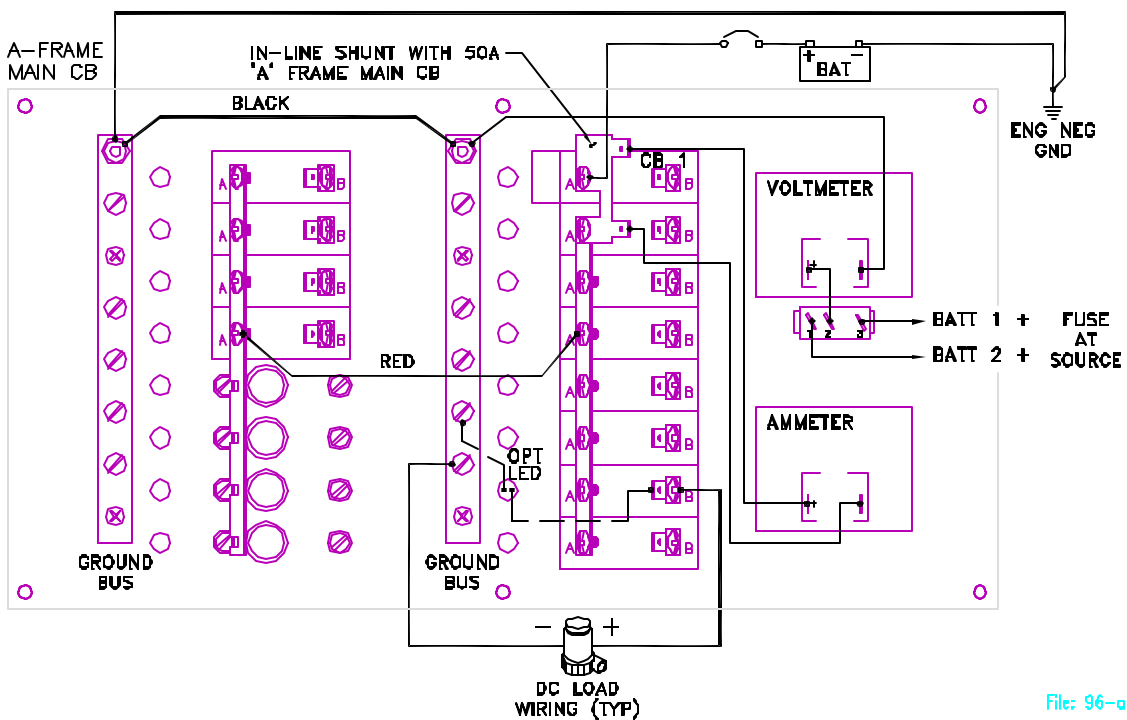
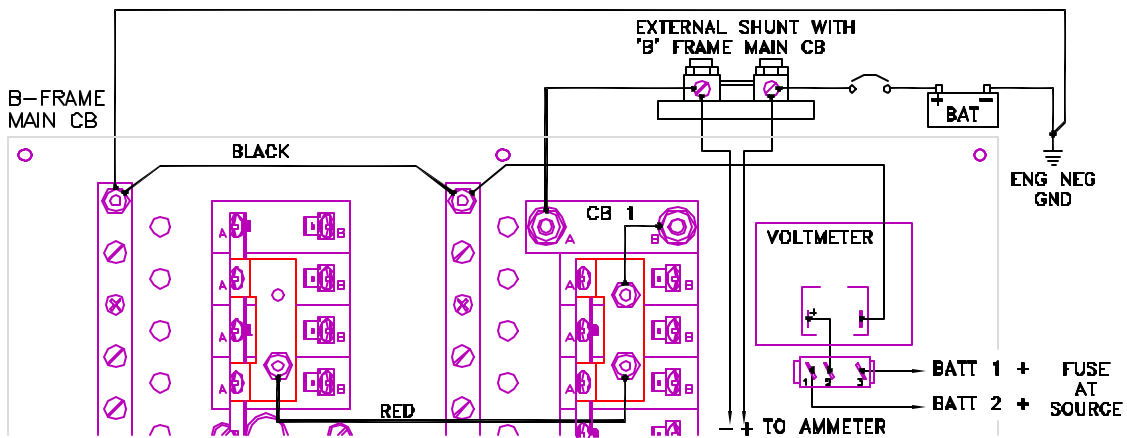
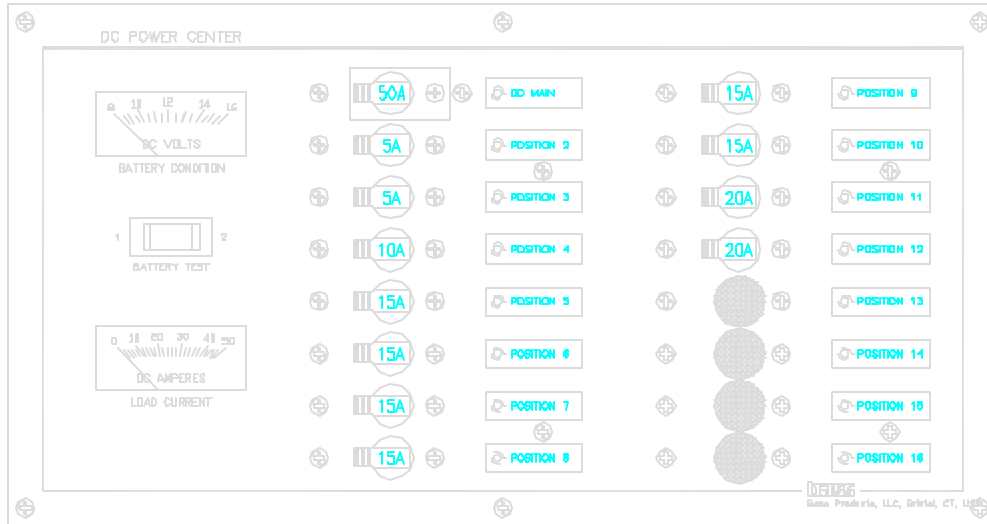


96-1180
96-1180K (SHOWN)



File: 96-all.dwg