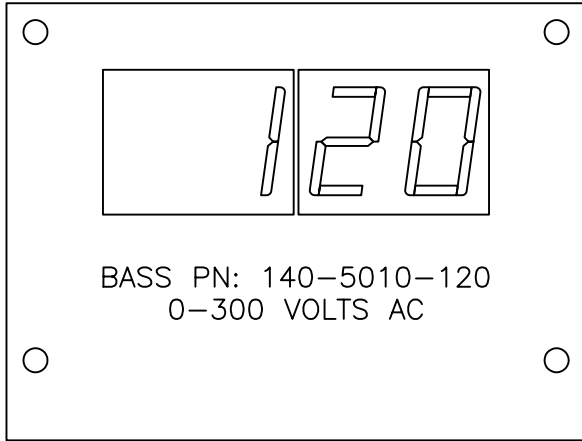
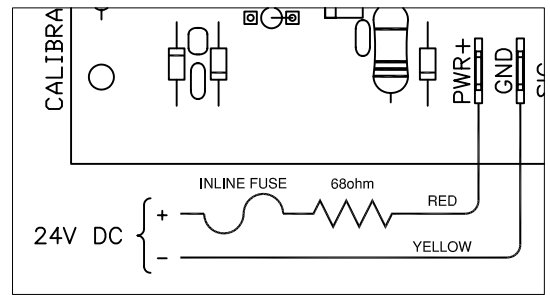
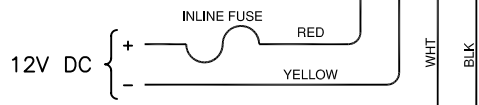
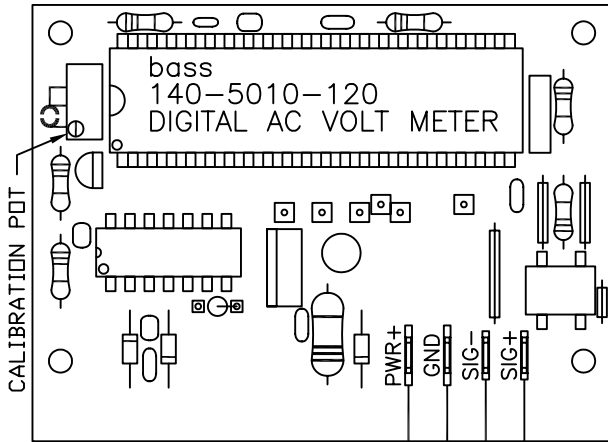


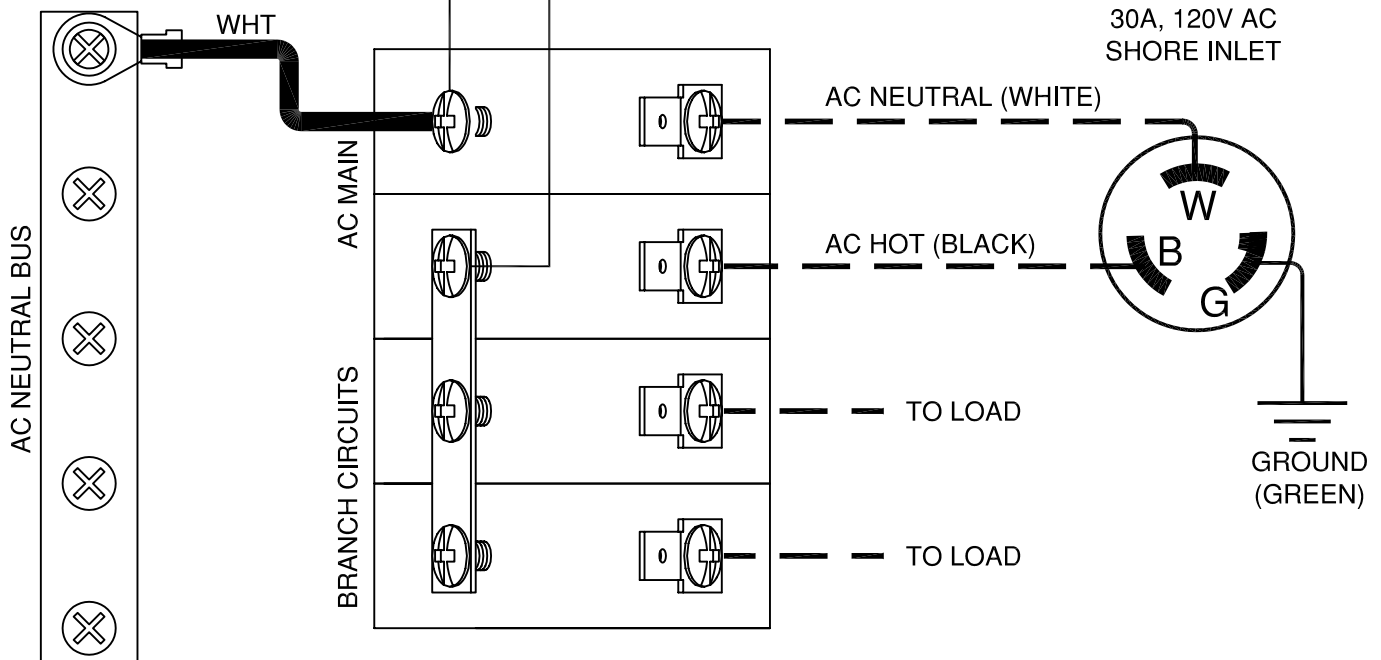
FRONT VIEW



REAR VIEW



FOR 24V SYSTEMS ADD A 68Ω 10watt RESISTOR.  
TO POWER INPUT



REF	-	-	-	-	-	-	-	-	-
bass products inc		SCALE: NTS		TOLERANCES: UNLESS OTHERWISE NOTED		DRAWN: XX = ± .015		DRAWING NO: 920-140-5010-120.dwg	
435 Lake Ave., Bristol CT 06010		UNITS ARE IN INCHES		APPROVD: XXX = ± .005		DATE: Jul 07, 03		SHOP ORDER	
		PART NO.:		DESCRIPTION:		SIZE: A		REV.:	
		DRAWING NO: 920-140-5010-120.dwg						SHEET	
								OF	
								1	