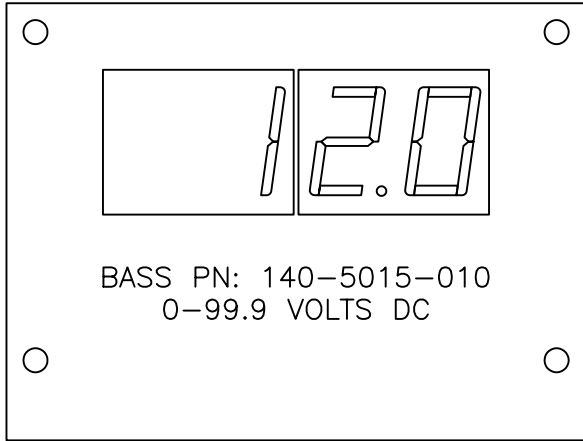
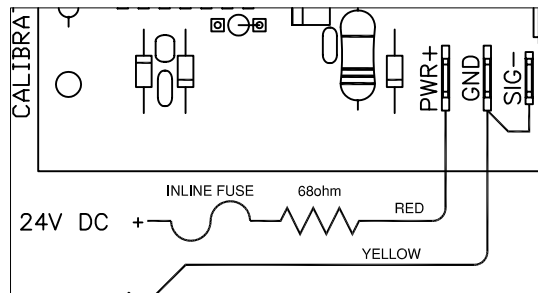
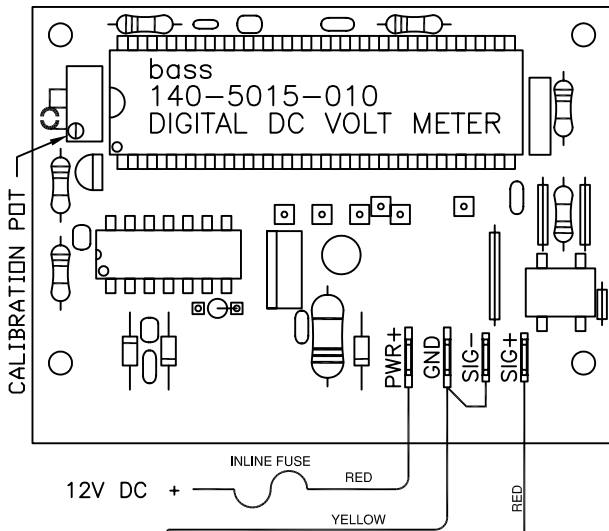


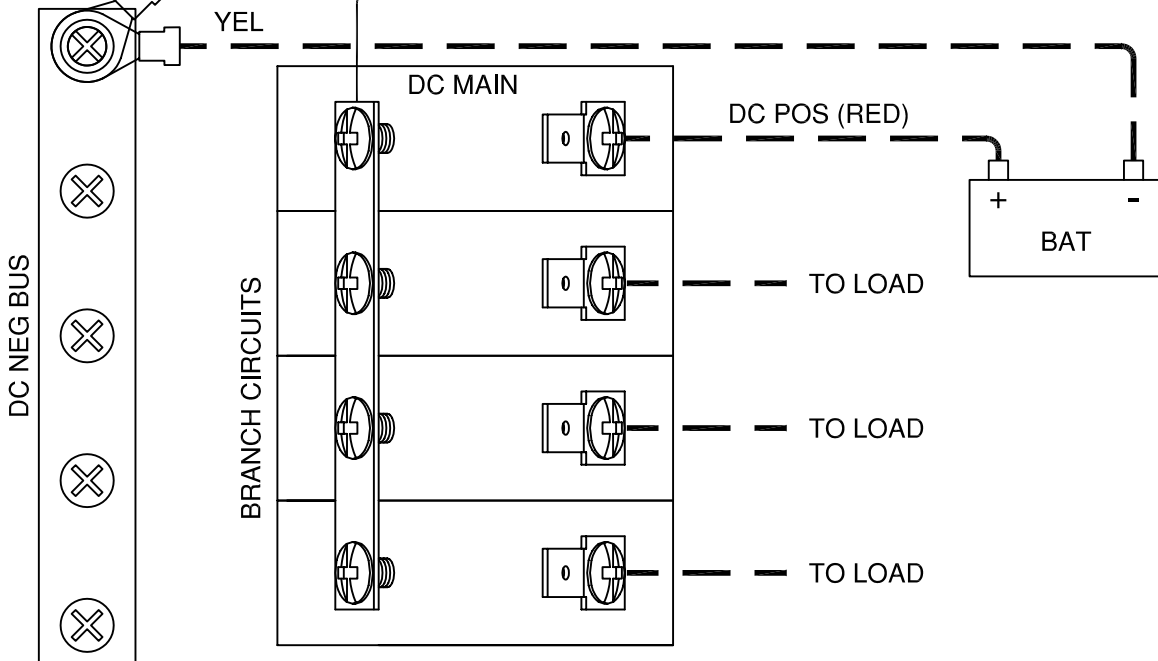
FRONT VIEW



REAR VIEW



FOR 24V SYSTEMS ADD A 68Ω 10WATT RESISTOR TO POWER INPUT



bass products inc 435 Lake Ave., Bristol CT 06010		SCALE: NTS
TOLERANCES: UNLESS OTHERWISE NOTED	XX = ± .015	DRAWN:
UNITS ARE IN INCHES	XXX = ± .005	APPROV:
PART NO.:		DATE: Jul 07, 03
DESCRIPTION:		SIZE: A
DRAWING NO: 920-140-5015-010.dwg		REV:
SHOP ORDER		SHEET
		OF

REF		